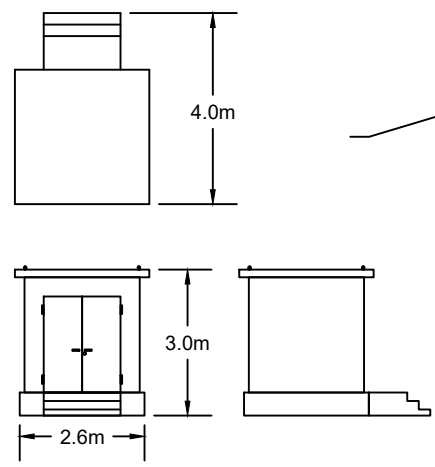
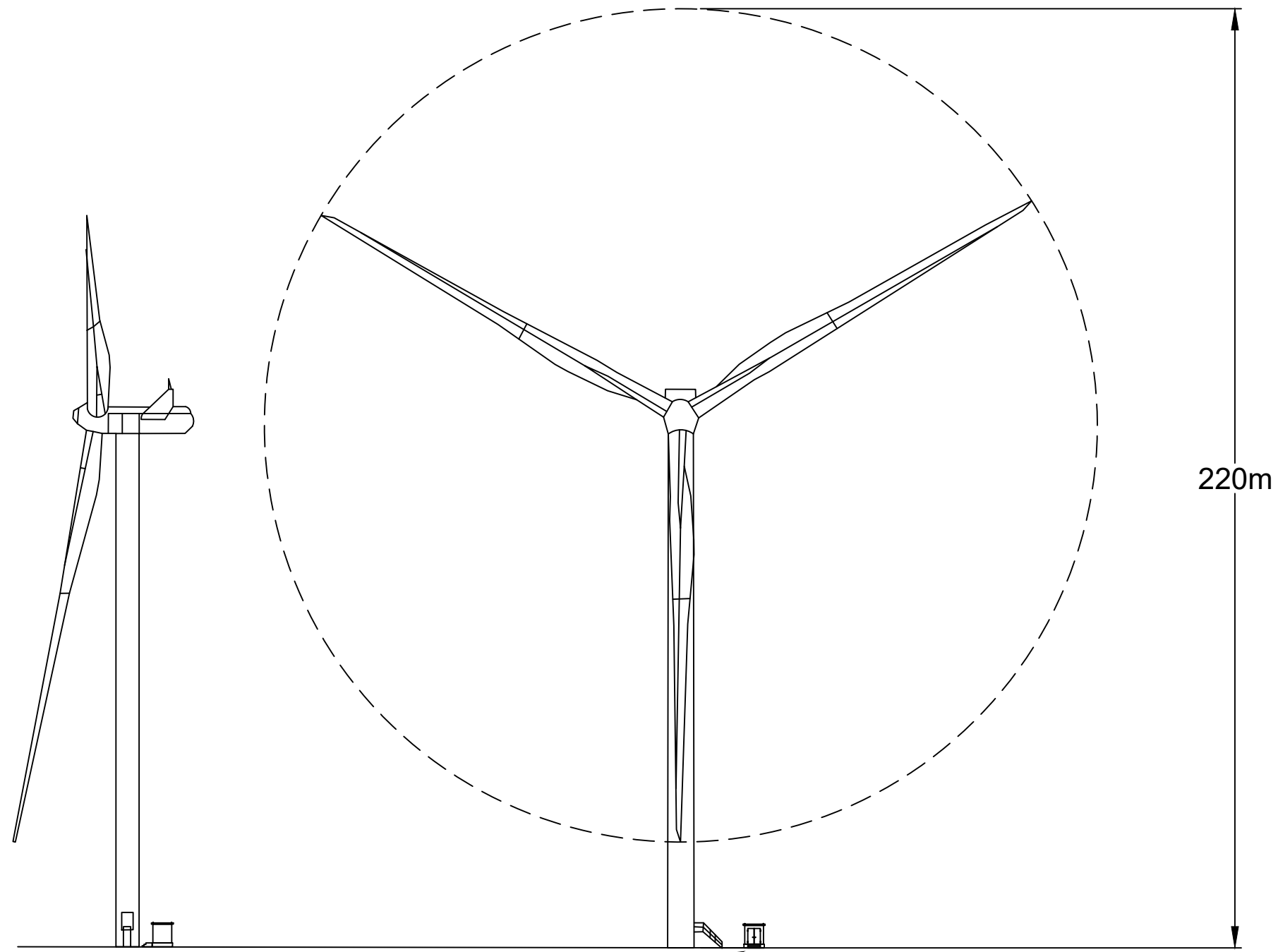


Figure 3.2: Indicative Turbine Elevation at 220m Tip Height



TYPICAL EXTERNAL TRANSFORMER ELEVATIONS